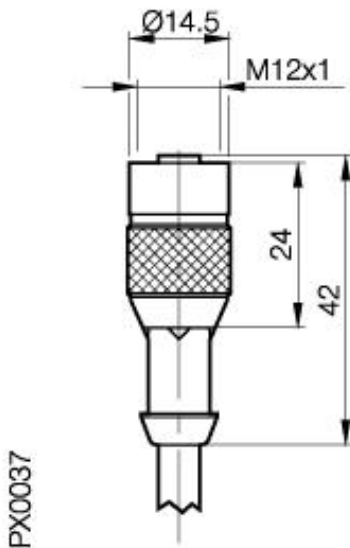


Accessories: Connectors BKS-S 19-12-



Common Data

| | |
|------------------------|----------------------------|
| Version | Connector, straight, 2-pin |
| Usable with | on Sensors NC, M12 |
| Manufacturer | Lumberg |
| Ambient temperature | -25°C...+70°C |
| Function display | no |
| Supply voltage display | no |

Mechanical Data

| | |
|--------------------------------|-------------------------|
| Measurements WxHxD or Dia x D | 42 x Ø14,5 |
| Material | Housing Polyester TPU |
| Protection class per IEC 60529 | IP67 |
| Cable version | fully potted, LiYY-0 |
| Conductor cross section | 2 x 0,34mm ² |

Electrical Data

| | |
|----------------|------------|
| Supply voltage | 10...30VDC |
|----------------|------------|



Datasheet number::

Definitions see general catalog.
If not otherwise noted, ratings according to
IEC 60947-5-2 (DIN EN60947-5-2)

Balluff GmbH
Schurwaldstrasse 9
73765 Neuhausen a.d.F.
Phone (07158) 173-0 Fax (07158) 5010

Datenblatt by CD-ROM - 04/2007

BALLUFF
sensors worldwide